

SIM International

Product Line Card

Displacement Transducers LVDT / RVDT

Displacement Sensors

Signal Processor and Electronic Interfaces

Inclinometers and Accelerators

Internal Control Systems

Displacement sensors

FOR OPTIMAL ACCURACY AND RELIABILITY IN SEVERE ENVIRONMENTS

High performances LVDT

SX12 W/K/R/N

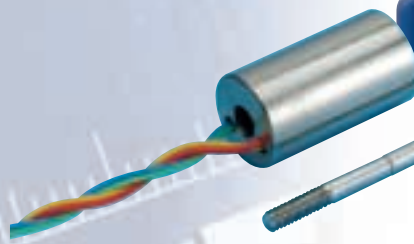
FS	+/- 3 to +/- 150 mm
Lin.	< 0,25% PE (0,1%)
P supply	AC/AC
Wkg T °C	-40°C; +200°C
Dim.	Dia. 12 mm
NB	IP 65 Ex version



Miniature LVDT sensor

SX9 W3

FS	+/- 1,5 mm
Lin.	< 0,25 % FS
P supply	AC/AC
Wkg T °C	-40°C; +125°C
Dim.	Dia. 9 mm
NB	IP 65



LVDT for severe environment

SX CER

FS	+/- 3 to +/- 150 mm
Lin.	0,3% FS
P supply	AC/AC
Wkg T °C	-40°C; +80°C
Dim.	Dia. 20 mm
NB	IP 67 - s/s

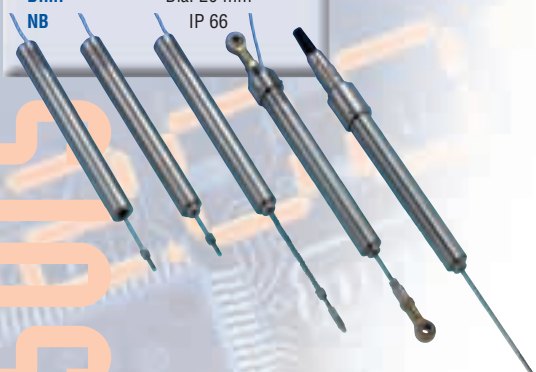


DC/DC or AC/AC modular LVDT

SX20 ME/M

NEW VERSION

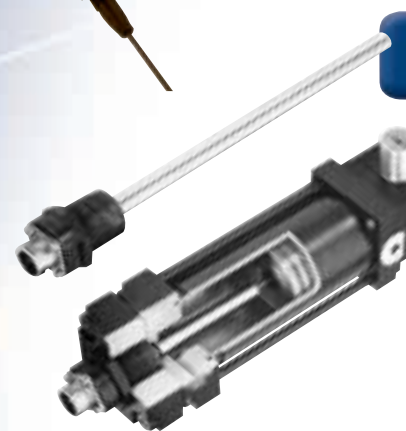
FS	+/- 2,5 to +/- 150 mm
Lin.	< 0,25% FS
PS/Output	24V - 0/10V 4-20mA
Wkg T °C	-40°C; +125°C
Dim.	Dia. 20 mm
NB	IP 66



LVDT for hydraulic cylinder

SX12 V

FS	+/- 12,5 to +/- 150 mm
Lin.	< 0,3% FS
P supply	AC/AC
Wkg T °C	-40°C; +125°C
Dim.	Dia. 12 mm
NB	150 or 350 bar



High performances RVDT

SX27 RV

FS	+/- 30° (+/- 60°)
Lin.	< 0,25% FS
P supply	AC/AC
Wkg T °C	-40°C; +125°C (150°C)
Dim.	Dia. 27 mm
NB	IP 65 Ex version



SENSORS

Signal processors and electronic interfaces

TO FORM HIGH-PERFORMANCE, MODULAR
AND COMPATIBLE MEASUREMENT CHAINS

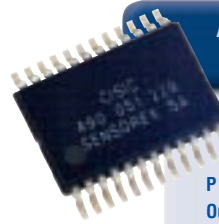
Din conditioner for LVDT sensors



SX 3120 **NEW**

P supply 24 VDC
Output 0/10V 4-20mA
Wkg T °C 0°C; +70°C
Dim. Din
Channels 1
NB CE
Ex version

ASIC for LVDT sensors



CISIC

P supply 12 VDC
Output 0-10V
Wkg T °C -40°C; +85°C
Dim. SSOP24
NB ASIC circuit
full custom

Din conditioner for strain gage sensors 4/6 wires

NEW **SX 3310**

P supply 24 VDC
Output 0/10V 4-20mA
Wkg T °C 0°C; +70°C
Dim. Din
Channels 1
NB CE



Din power supply and threshold

SX 3200/3600

P supply 220V - 24 VDC
Output +/- 15V - TOR
Wkg T °C 0°C; +60°C
Dim. Din
Channels To 7 modules
NB CE



Display-conditionner for LVDT sensor

NEW **SX 6510**

P supply 24VDC - 220 VAC
Output Opt 0/10V 4-20mA
Wkg T °C -10°C; +60°C
Dim. 96x48x120 mm
Channels 1
NB +/- 32000 pts
user-friendly



Display-conditionner for strain gage sensor

SX 6500

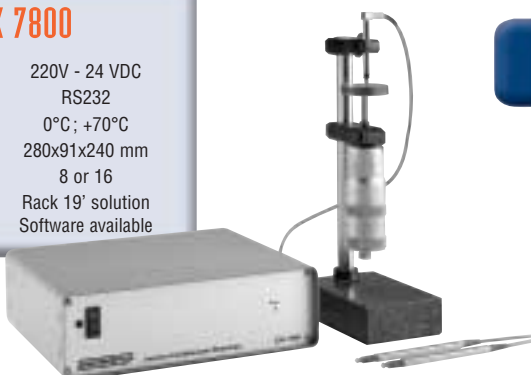
P supply 24VDC - 220 VAC
Output Opt 0/10V 4-20mA
Wkg T °C -10°C; +60°C
Dim. 96x48x120 mm
Channels 1
NB +/- 32000 pts



Digital multi-channel interface for LVDT

SX 7800

P supply 220V - 24 VDC
Output RS232
Wkg T °C 0°C; +70°C
Dim. 280x91x240 mm
Channels 8 or 16
NB Rack 19' solution
Software available



Rack conditionners

SX 9000

P supply 220VAC or +/- 15V
Output 0/10V 4-20mA RS
Wkg T °C 0°C; +60°C
Dim. Europe
Channels Up to 20 channel
NB Rack 19' solution



Inclinometers and Accelerometers

TO DETERMINE POSITION AND MEASURE MOVEMENTS

High-performances inclinometer 1 and 2 axis

SX 41200 et 41400

FS +/- 3 to +/- 90°
Lin. < 0,05% FS (0,02%)
Wkg T °C -40°C; +85°C
P supply 12 or 24V
Output +/- 5V (4-20mA)
Dim. 67x65 or 70x51 mm
NB Connector IP65 output



Submersible Servo-inclinometer 1 axis

SX 41170

FS +/- 3 to +/- 90°
Lin. < 0,05% FS
Wkg T °C -40°C; +85°C
P supply 12 or 24V
Output +/- 5V (4-20mA)
Dim. 111x46x52 mm
NB 100 bar/1000 m
 Ex version



Digital high performances inclinometer

SX 41100

NEW

FS +/- 5 to +/- 90°
Lin. < 0,02% FS
Wkg T °C -40°C; +85°C
P supply 9 to 30V
Output +/- 5V, 4-20mA, RS485
Dim. 67x65x39 mm
NB Arc sin in digital version
 Windows® software

Cylindrical inclinometer 1 and 2 axis

NEW

SX 41700

FS +/- 14,5° to +/- 90°
Lin. < 0,1% FS
Wkg T °C -20°C; +80°C
P supply 7 to 30V
Output +/- 5V, 4-20mA
Dim. Diameter 20x116 mm
NB Bore hole apps.



Tilt display unit inclinometer

SX 42890

FS +/- 20 and +/- 70°
Lin. < 0,1% FS
Wkg T °C 0°C; +50°C
P supply 4 x 1,5 V
Output RS232
Dim. 138x80x36 mm
NB Autonomous



Digital and analog servo-inclinometer

NEW

SX 41900

FS +/- 5 to +/- 90°
Lin. < 0,1% FS
Wkg T °C -40°C; +85°C
P supply 9 to 30V
Output +/- 5V, 4-20mA, RS485
Dim. 67x65x39 mm
NB Arc sin in digital version
 Windows® software

Compact silicon inclino. 1 axis / 2 axis

NEW

SX 46110 et 46120

FS +/- 5, 15, 30 and 90°
Lin. < 0,5% FS
Wkg T °C -40°C; +85°C
P supply 7-30VDC
Output 0-5V
Dim. 26x26x26 / 42x33x25 mm
NB IP65 CE



Compact silicon accelerometer 1 axis

NEW

SX 46020

FS +/- 2, 10 and 25g
Lin. < 0,5% FS
Wkg T °C -40°C; +125°C
P supply 5VDC
Bw 0-800Hz
Output 67 to 835mV/g
Dim. 15x26x30 mm
NB IP65



INCLINOMETERS
 ACCELEROMETERS

Inertial Systems

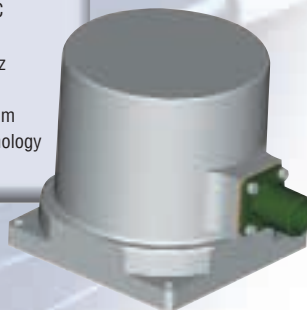
TO STUDY MOVEMENT IN ALL CIRCUMSTANCES

Miniature silicon inertial reference 3 axis

SX 43030

NEW

EM	+/-2 to +/-25g • +/-50 to +/- 300°/s
Lin.	+/-0,5 %PE • +/-1 %PE
T °C	-40 to + 75 °C
Alim.	9 to 36 V
BP	800 Hz • 50 Hz
Sortie	+/- 5 V
Dim.	Ø 102 x 91,5 mm
Nota	IP 65, silicon technology very reliable



inertial

Impact Recorders

TO CONTROL THE QUALITY OF THE WHOLE LOGISTICS CHAIN AND ANALYSE THE CONDITIONS OF TRANSPORT, TRANSIT AND STORAGE

Autonomous impact recorder
+ wave mode (+T°C + Hu.)

Waveshock

NEW

FS	+/- 10 g and +/- 50 g
Wkg T °C	-40 to +85 °C
Rel. hum.	5 to 95 %
P supply	lithium batteries
Bd. Wth.	from 25 to 200 Hz
Interface	RS 232 + PC software
Dim.	130 x 100 x 44 mm
NB	©Windows software, data sorting



Autonomous impact recorder +T°C + Hu.

Minishock

FS	+/- 10 g and +/- 50 g
Wkg T °C	-40 to +85 °C
Rel. hum.	5 to 95 %
P supply	lithium batteries
Bd. Wth.	from 25 to 200 Hz
Interface	RS 232 + PC software
Dim.	130 x 100 x 44 mm
NB	©Windows software, data sorting



shocks

Contact Us

At SIM International, your input is essential to our business.
If you have any questions or comments regarding our
[PRODUCTS / SERVICES / COMPANY/ WEB SITE],
please contact us at one of the locations listed below.

Hours of Operation:

Mon - Fri

8 a.m. - 8 p.m. (local time)

Saturday

9 a.m. - 5 p.m. (local time)

BANGLADESH

SIM International
333/1/C TV. Road
East Rampura
P.O: Khilgoan, Dhaka
Bangladesh

Tel +88 (0) 1715068227 (mobile)

Tel +88(02) 8331728

CANADA

SIM International
2113-370 Dixon Road
Toronto, ON
M9R 1T2
Canada

Tel: 416 822 8094

Fax: 416 614 9277

Email: info@simintl.ca

simintl.ca